



Application Note: Monitoring Delta Rpi

Delta Rpi Inverter Monitoring with WattmonPRO

WattmonPRO has a driver package that can automatically detect and monitor up to 5 Delta RPI inverters over Modbus RTU.

Dashboard

The dashboard shows all relevant parameters from the Delta RPI inverter as shown below:

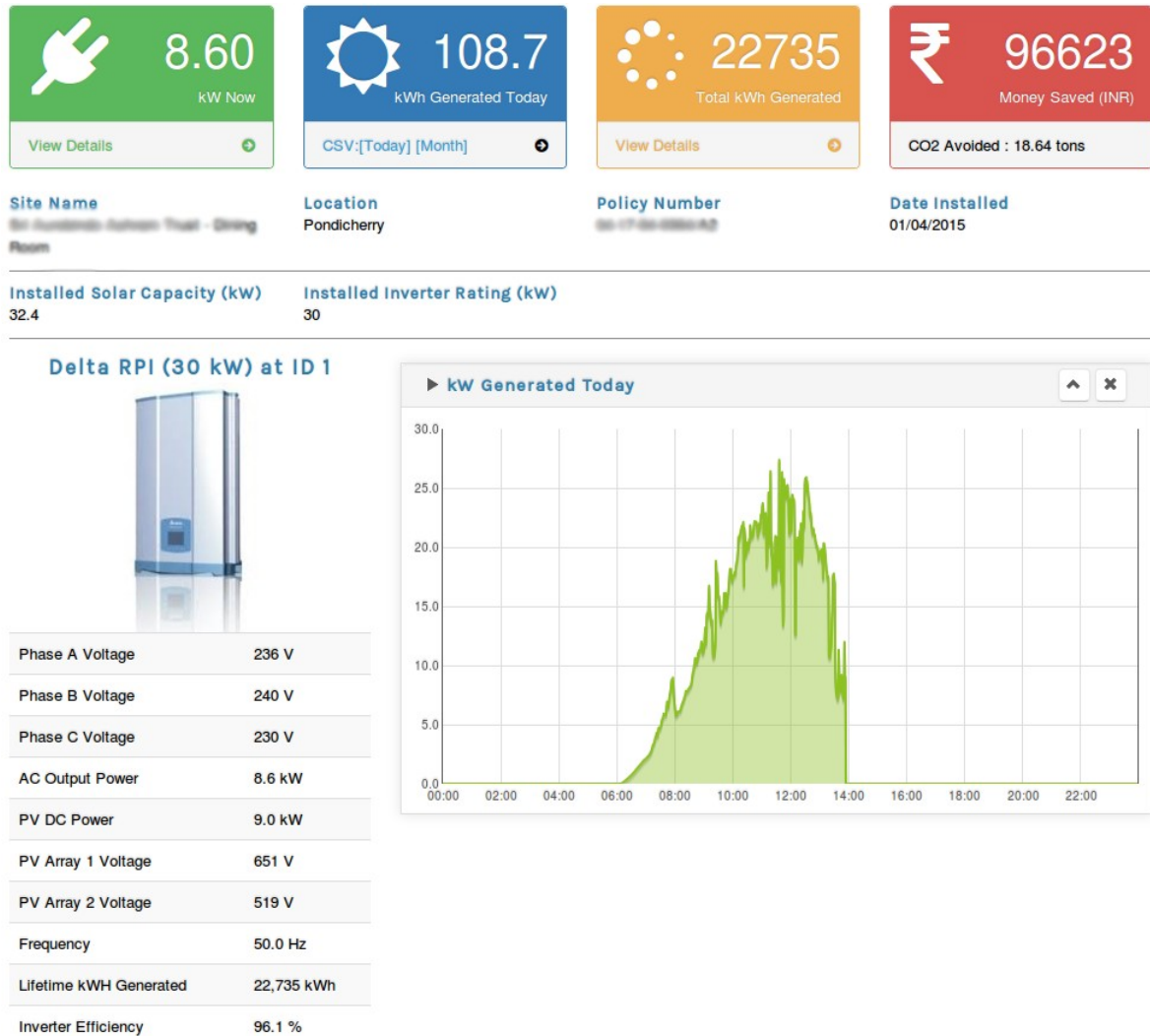


Figure 1 Wattmon Dashboard

The inverter details are shown in the left column and the lifetime generation, revenue saved and current production are all shown along the top of the window.



Application Note: Monitoring Delta Rpi

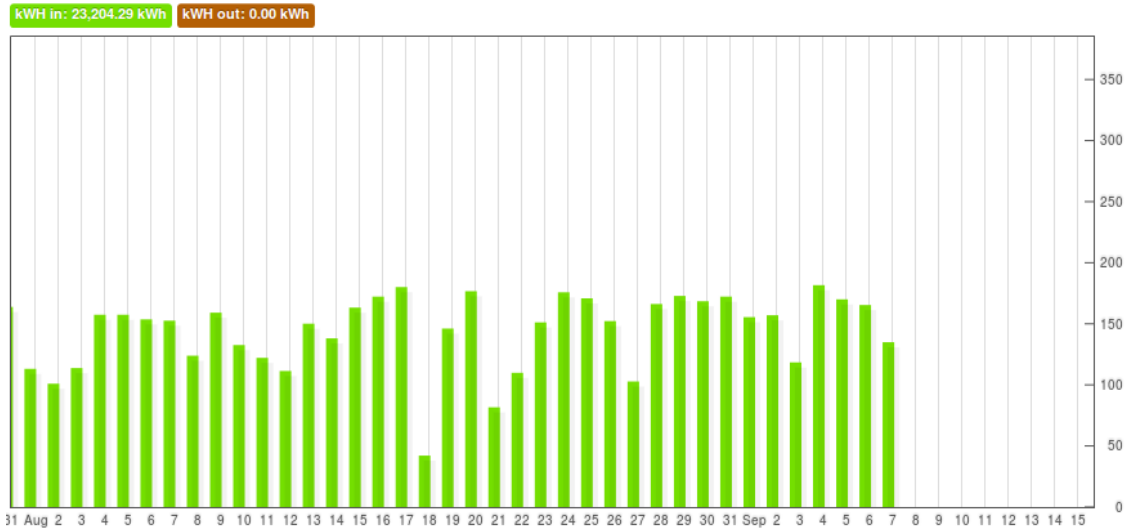


Figure 2 Daily kWh totals

You can get detailed graphs about the energy generated for a given period using the above graph also directly on the Wattmon.

Consolidated Monitoring on the Portal

Wattmon can also export data on a 5-minute basis to our hosted portal site, my.wattmon.com. Here you can see all your systems at a glance and view the data online as shown below. This is a subscription based service with a fixed rate per device per year.

Grid Tie Inverter Overview								
ID	Name	Zone	kWh Today	kW Now	Voltage	Frequency	Status	Options
04-17-26-960A1	Ashram Library	Pondicherry	107.88	14.12	243.30 / 239 / 231.50	49.95	Active	View
06-17-26-960A2	Ashram Dining Room	Pondicherry	109.59	14.271	236.30 / 238.70 / 232.30	49.91	Active	View
05-17-26-960A1	Ashram Delafon	Pondicherry	102.46	8.006	230.50 / 238.70 / 234.80	49.98	Active	View
06-17-26-960A1	Ashram School	Pondicherry	113.47	9.037	242.70 / 246.50 / 246.60	49.99	Active	View
0000	GUFO Chairman House	Odissa	3.78	1.871	236.10 / 229.60 / 234.20	49.99	Active	View
0000	GUFO Odisha	Odissa	10.54	1.633	220.20 / 206.90 / 226.20	49.91	Active	View
06-10-26-960	Ashram Madras (Chennai)	Tamil Nadu	19.33	7.975	231.60 / 231 / 229.80	50	Active	View
00000000	Public Health Care	Odissa	29.86	0.3	228 / 223.20 / 228.20	49.92	Last access 11m ago	View

Figure 3: my.wattmon.com portal with overview of devices.



Application Note: Monitoring Delta Rpi

Connecting Wattmon

The RJ45 Modbus port at the base is used to connect to the inverter.

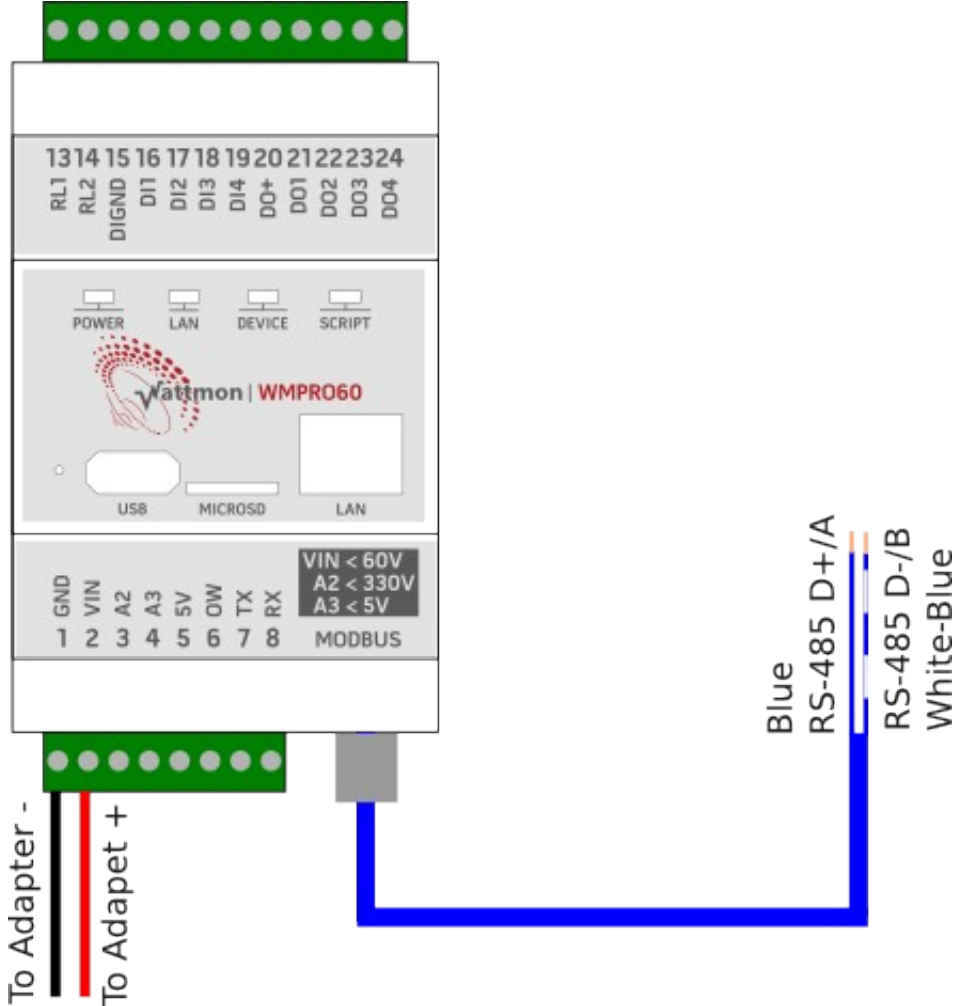


Figure 4: Connection diagram for inverter monitoring

For more details, please visit <http://www.wattmon.com>